

- ▶ **High quality micro switches for a wide range of applications**
- ▶ **Excellent performance, high reliability and long service life**
- ▶ **UL/cUL and ENEC certification**

Applications the Micro Switch can be used in: TAlarm devices, Home security, Time recorder, Air conditioner, Food processor, Juice maker, Lawnmowers, Mixer, Central water heater, industrial apparatus, Special forklifts, Special vehicles.

Specifications	
Contact resistance (initial)	Max. 300mΩ Measured by ohm meter –Open Voltage<1VDC, Driver current -100mA
Insulation Resistance (at 500 VDC / minute)	Min. 100 MΩ
Dielectric Strength	Min. 500VAC (50-60HZ)/minute between live parts. Min. 1500VAC (50-60HZ)/minute between live parts and dead metal parts
Operating Temperature Range	-40°C to +85°C (with no icing)
Vibration	10~55Hz, displacement 0.75 mm (p-p)
Electrical Service Life	Min. 10,000 operations
Electrical Operating Frequency	10~30 operations per minute
Mechanical Service Life	Min. 1,000,000 operations
Mechanical Operating Frequency	120 operations per minute
Operating application of the switch	Set the switch pushing distance from 60% to 90% of the specified OT value



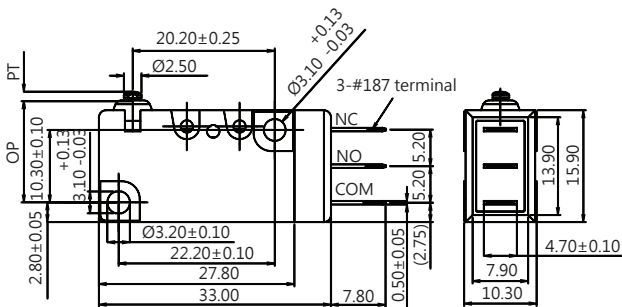
Model Name	UL - cUL - Certification	ENEC - Certification
VW1-P1	0.1RA 30VDC μ T55 1E4 0.1RA 125/250VAC μ T55 1E4	0.1A 30VDC μ T55 1E4 0.1A 125/250VAC μ T55 1E4
VW1-03	3RA 30VDC μ T55 1E4 3RA 125/250VAC μ T55 1E4	3A 30VDC μ T55 1E4 3A 125/250VAC μ T55 1E4
VW1-06	5RA 30VDC μ T55 1E4 6RA 125/250VAC μ T55 1E4	5A 30VDC μ T55 1E4 6A 125/250VAC μ T55 1E4
VW1-10	5RA 30VDC μ T55 1E4 10RA 125/250VAC μ T55 1E4	5A 30VDC μ T55 1E4 10A 125/250VAC μ T55 1E4

MODEL	Rating	D	J	L	S	H
VW1	0.1A	*	*	*	*	*
	3A	*	*	*	*	*
	6A	*	*	*	*	*
	10A 10(2)A				*	*

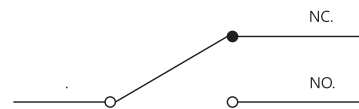
NOTE: The symbol "*" represents the result is accepted

Dimensions

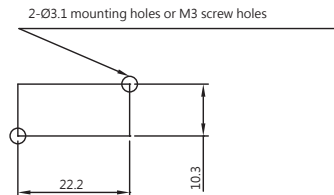
Unless otherwise specified, a tolerance of ± 0.4 mm applies to all dimensions.



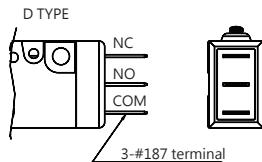
CONTACT CONFIGURATION



MOUNTING HOLES



TERMINAL TYPES





Ordering information

(Please use the characters in the chart below to create your product code)

Order Code VW1 - P1 - S 0 - 00 D 3 - Z

Rating Current

10	10A 125/250VAC
06	6A 125/250VAC
03	3A 125/250VAC
P1	0.1A 125/250VAC

Operating Force

H	Heavier
S	Standard
L	Light
J	Slight
D	Lightness

Actuator Lever Fixed

0		
1		5
2		12.5

Actuator Type

00	No Lever
01	
02	
03	
04	
05	
06	

Circuit Arrangement

0	S.P.D.T.
1	S.P.S.T. NO
2	S.P.S.T. NC



Item	Rating Current	Operating Force
1	P1	H, S, L, J, D
2	03	H, S, L, J, D
3	06	H, S, L, J, D
4	10	H, S

If you require a customized solution for your program contact our sales team.